

Oilless Diaphragm Pump to 4.3 lpm



DC Model



AC Model

Miniature Diaphragm 10D1125 Series

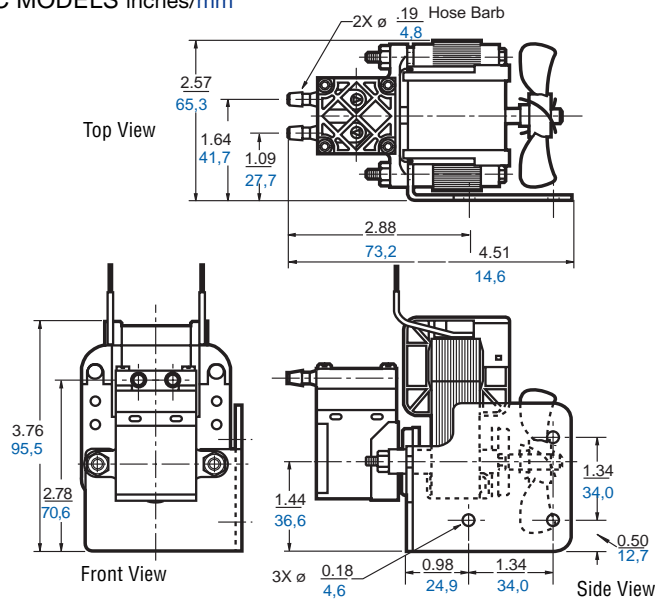
AC MOTOR

15 PSI MAX. PRESSURE, 15" HG MAX. VACUUM
3.8 LPM OPEN FLOW

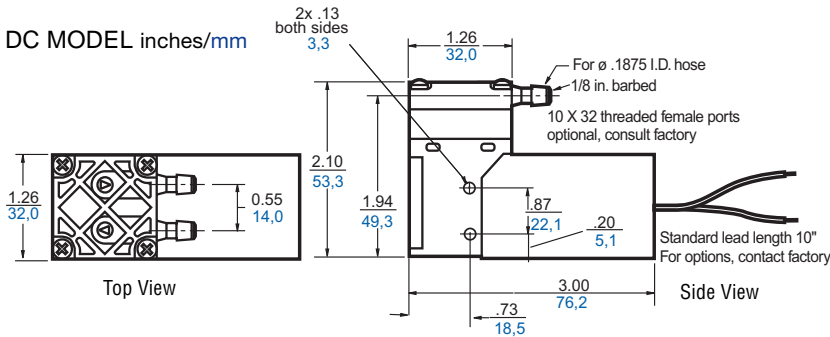
DC MOTOR

15 PSI MAX. PRESSURE, 14" HG MAX. VACUUM
4.3 LPM OPEN FLOW

AC MODELS inches/mm



DC MODEL inches/mm



PRODUCT FEATURES

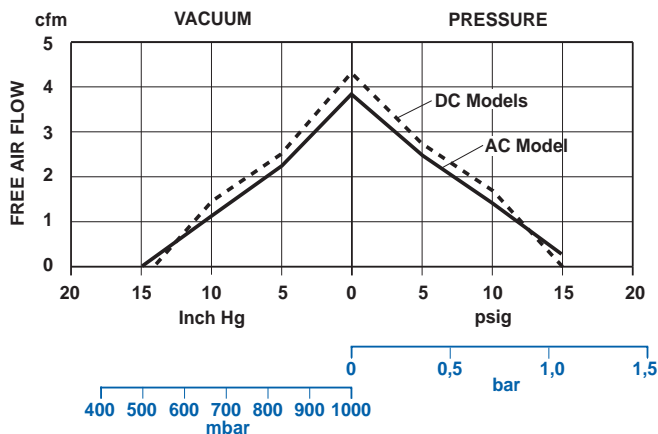
- Use as compressor or vacuum pump (same model)
- Mount in any plane
- Maintenance-free ball bearings are sized for long life
- Diaphragm and valve are easily field serviceable, if required
- Alternate stroke options available
- Custom mounting configurations available
- Heads mount in any of four positions
- Heads available with threaded or barbed ports
- Motor equipped with Electromagnetic Interference (EMI) Suppression

MATERIALS OF CONSTRUCTION

- Head assembly of chemical/heat resistant PPS (Polyphenylene Sulfide) for corrosion resistance
- EPDM (Ethylene Propylene Diene Monomer) valve and diaphragm

Product Performance (Metric, U.S.)

Note: DC performance data taken at nominal voltage.



Product Specifications

Model Number	Motor	Max. Amp. Draw	Net Wt. lbs.	Net Wt. kg.
10D1125-101-1051	6V DC	1	.5	0.23
10D1125-101-1052	12V DC	.5	.5	0.23
10D1125-101-1053	24V DC	.3	.5	0.23
10D1110-101-1043	115-60-1	.6	1.85	0.83