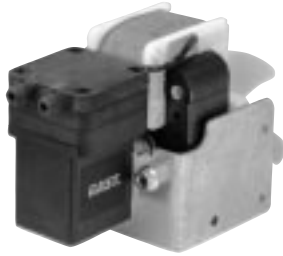


Oilless Diaphragm Pump to 7.0 lpm



AC Models



DC Models

Miniature Diaphragm 15D1150/1190 Series

DC MOTOR (15D1150 SERIES)
20 PSI MAX. PRESSURE, 20" HG MAX. VACUUM
7.0 LPM OPEN FLOW

AC MOTOR (15D1150 SERIES)
24 PSI MAX. PRESSURE, 20" HG MAX. VACUUM
7.0 LPM OPEN FLOW

* Not shown on performance chart. Consult factory for custom applications.

Product Specifications

Model Number	Motor*	Maximum Amp. Draw		Material	Net Wt.	
		60Hz	50Hz			
15D1150-101-1006	12V DC	1.2		EPDM	14 oz.	397 g
15D1150-101-1014	24V DC	.6		EPDM	14 oz.	397 g
15D1150-102-1012†	100-115V	.9	.5	EPDM	2.5 lbs.	1,14 kg
15D1150-102-1021†	230V	.9	.5	EPDM	2.5 lbs.	1,14 kg
15D1150-101-1012‡	100-115V	.9	.5	EPDM	2.5 lbs.	1,14 kg
15D1150-101-1021‡	230V	.9	.5	EPDM	2.5 lbs.	1,14 kg

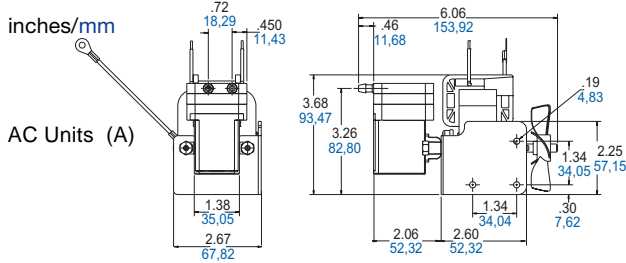
*100-115, 230 Volt models in chart are 60/50-1

† Standard right-angle foot bracket - see schematic (A)

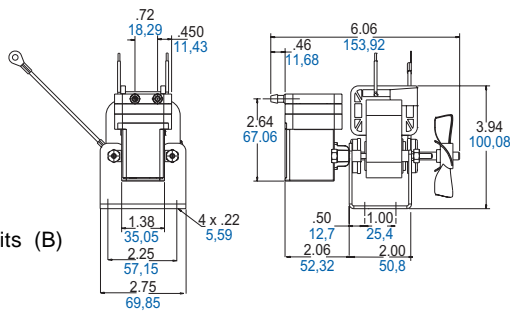
‡ Optional U-shaped foot bracket - see schematic (B)

Note: Use #6 Plastite Thread Forming Screw

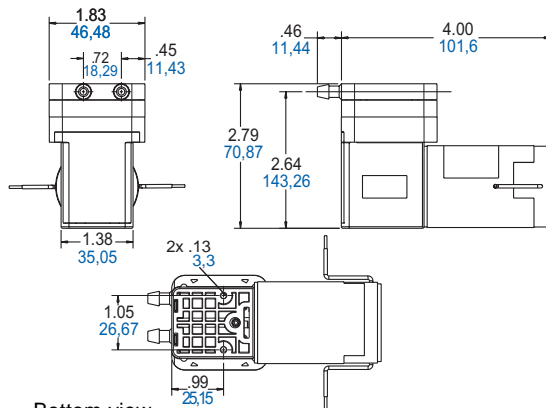
3" I.D. Tube Hose Best Fit
16



AC Units (A)



AC Units (B)



DC Units

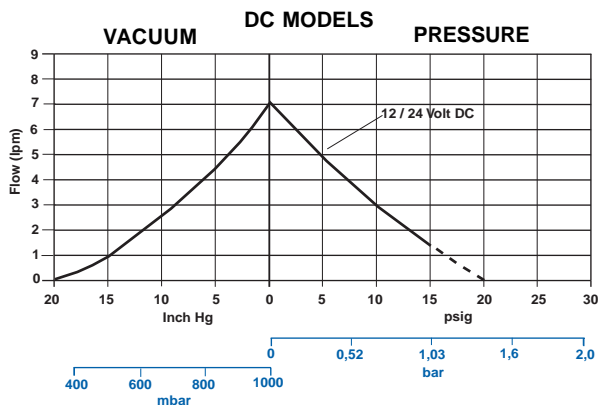
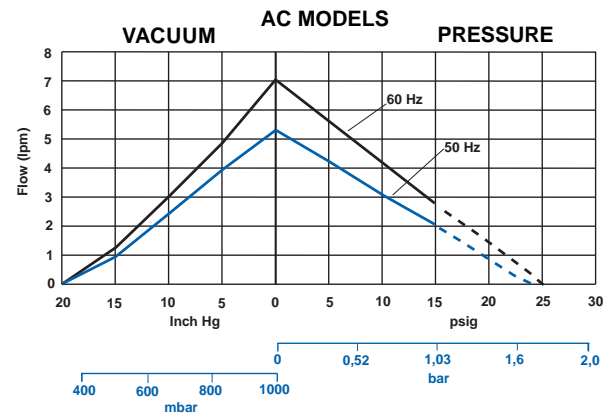
Bottom view

PRODUCT FEATURES

- Flow-enhanced design meets compressed air/vacuum demand
- Easy-install design can be mounted on any plane
- Oversized ball bearings ensure maintenance-free operation
- Robust valve design tolerant of small amounts of intake liquid
- Field serviceable diaphragm/valve designs: K813 (EDPM) K813A (Neoprene)

MATERIALS OF CONSTRUCTION

- Heat/chemical resistant Polyphenylene Sulfide (PPS) head assembly for greater corrosion resistance
- EPDM diaphragm, EPDM valve assembly (standard)
- Neoprene diaphragm, neoprene valve assembly (optional)



Note: Dashed line indicates intermittent duty - Contact factory for specific applications