



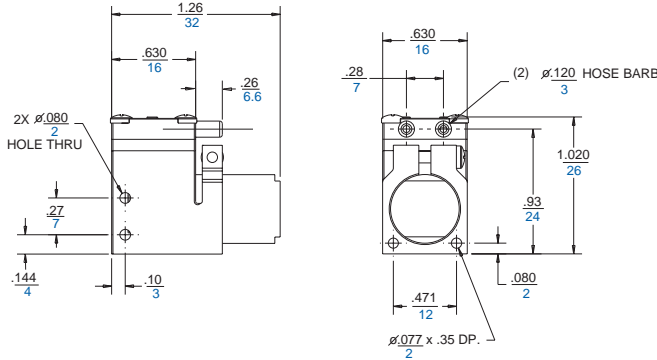
Oilless Diaphragm Pump to 0.65 lpm



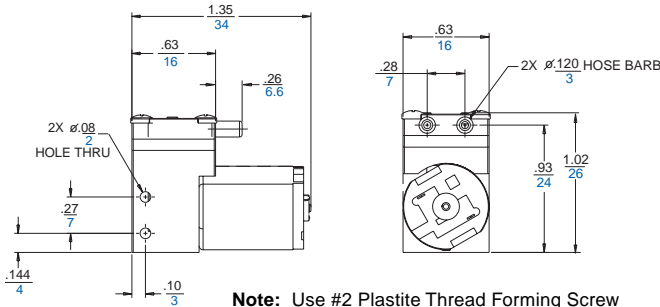
Miniature Diaphragm 2D1034 Series

inches/mm

2D1034-101-1060, 2D1034-101-1061



2D1034-101-1057, 2D1034-101-1075,
2D1034-101-1058, 2D1034-101-1034



Note: Use #2 Plastite Thread Forming Screw

IRONLESS CORE MOTOR (DC)
 5.5 PSI MAX. PRESSURE, 11" HG MAX. VACUUM
 0.55 LPM OPEN FLOW

IRON CORE MOTOR (DC)
 5 PSI MAX. PRESSURE, 11" HG MAX. VACUUM
 0.65 LPM OPEN FLOW

PRODUCT FEATURES

- Can be used as compressor or vacuum pump (same model)
- Can be mounted in any plane
- Custom mounting configurations available
- Head mounts in any of four positions
- Consult factory for voltage options
- Stroke options available

MATERIALS OF CONSTRUCTION

- EPDM (Ethylene Propylene Diene Monomer) valve and diaphragm
- Chemically resistant PPS (Polyphenylene Sulfide) for all other wetted components

Product Specifications

Model Number	Milliamps at Nominal Voltage	Voltage	Net Wt.	
			oz.	g
2D1034-101-1060*	30-70	4.5V DC	.56	16
2D1034-101-1061*	25-45	6V DC	.56	16
2D1034-101-1057*	40-100	4.5V DC	.56	16
2D1034-101-1075*	30-80	6V DC	.56	16
2D1034-101-1058*	20-50	7.5 DC	.56	16
2D1034-101-1035**	45-100	12V DC	.56	16

* Ironless core motor ** Iron core motor

Product Performance (Metric, U.S.)

Note: The 2D performance is based on test results of nominal units. Solid lines show standard performance of models in the chart. Shaded area represents capabilities when models are customized for specific requirements. Please consult factory for customized models.

