



# Oiless Rocking Piston 2.6, 4.5 and 5.5 cfm

## 71R/72R Series Twin Cylinder Vacuum Pump

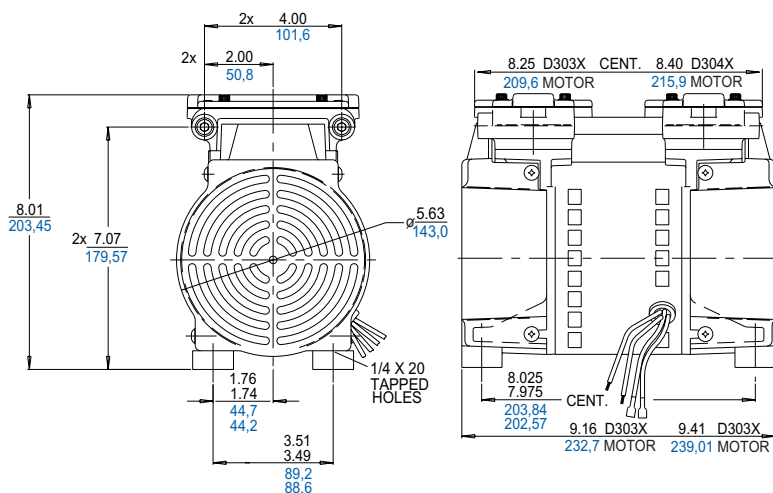


**MODEL 71R645/71R655**  
28" HG MAX. VACUUM, 4.5 CFM OPEN FLOW

**MODEL 72R547/72R555**  
29" HG MAX. VACUUM, 2.6 CFM OPEN FLOW

**MODEL 72R645/72R655**  
28" HG MAX. VACUUM, 5.5 CFM OPEN FLOW

(mm) (inches)



### PRODUCT FEATURES

- Oilless operation
- All wetted aluminum parts treated for corrosion protection from moisture
- Rugged motor shell construction

### INCLUDES

- Dry-cell capacitor AT250 (D303X Motors, AT251 (D304X Motor) - not pictured, shipped unattached
- Rubber feet (4) AB319

### COMMON MOTOR OPTIONS

- 115V, 60 Hz, single phase
- 220-240V, 50 Hz, single phase

### RECOMMENDED ACCESSORIES

- Relief valve AA840A
- Vacuum gauge AA640

### Product Specifications

Model Number	Motor	Type	RPM		HP	kw	Net Wt.	
			60 Cycle	50 Cycle			lbs.	kg
71R645-V114-D303X	115-60-1	PSC (4 Pole)	1650	-	1/3	0,25	15.6	7,09
71R655-V114-D304X	220-240-50-1	PSC (4 Pole)	-	1425	1/3	0,25	16.0	7,27
72R547-V116-D303X	115-60-1	PSC (4 Pole)	1650	-	1/3	0,25	15.6	7,09
72R555-V116B-D304X	220-240-50-1	PSC (4 Pole)	-	1425	1/3	0,25	16.0	7,27
72R645-V114-D303X	115-60-1	PSC (4 Pole)	1650	-	1/3	0,25	15.6	7,09
72R655-V114-D304X	220-240-50-1	PSC (4 Pole)	-	1425	1/3	0,25	16.0	7,27

### Product Performance (Metric, U.S.)

