



# Oilless Rocking Piston 4.35 and 5.5 cfm



## 71R/72R Series Twin Cylinder Compressor

### MODELS 71R645/71R655

25 PSI MAX. PRESSURE, 4.35 CFM OPEN FLOW

### MODELS 72R645/72R655

15 PSI MAX. PRESSURE, 5.5 CFM OPEN FLOW

#### PRODUCT FEATURES

- Oilless operation
- All wetted aluminum parts treated for corrosion protection from moisture
- Rugged motor shell construction

#### INCLUDES

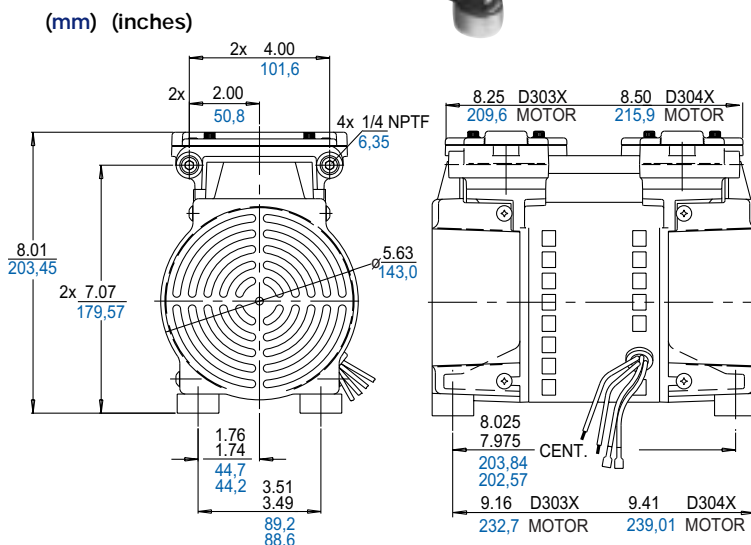
- Dry-cell capacitor AT250 (D303X Motor), AT251 (D304X Motor) - not pictured, shipped unattached
- Rubber feet (4) AB319

#### COMMON MOTOR OPTIONS

- 115V, 60 Hz, single phase
- 220-240V, 50 Hz, single phase

#### RECOMMENDED ACCESSORIES

- Relief valve AA600
- Pressure gauge AA644B

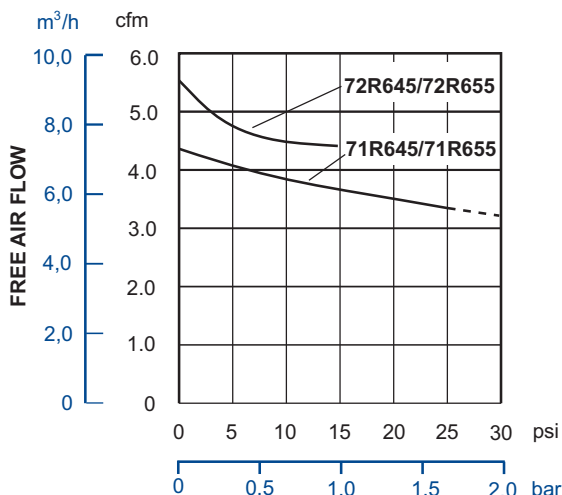


#### Product Specifications

Model Number	Motor	Type	RPM		HP	kw	Net Wt.	
			60 Cycle	50 Cycle			lbs.	kg
71R645-P112-D303X	115-60-1	PSC (4 Pole)	1650	-	1/3	0,25	15.6	7,09
71R655-P112-D304X	220-240-50-1	PSC (4 Pole)	-	1425	1/3	0,25	16.0	7,27
72R645-P112-D303X	115-60-1	PSC (4 Pole)	1650	-	1/3	0,25	15.6	7,09
72R655-P112-D304X	220-240-50-1	PSC (4 Pole)	-	1425	1/3	0,25	16.0	7,27

#### Product Performance (Metric, U.S.)

Dotted line indicates intermittent duty.



Note: Consult factory for 100 psi models.