



74R Series Single Cylinder Compressor

MODEL 74R130

100 PSI MAX. PRESSURE, 1.50 CFM OPEN FLOW (60 Hz)
100 PSI MAX. PRESSURE, 1.25 CFM OPEN FLOW (50 Hz)



Unit shown with attached recommended filter

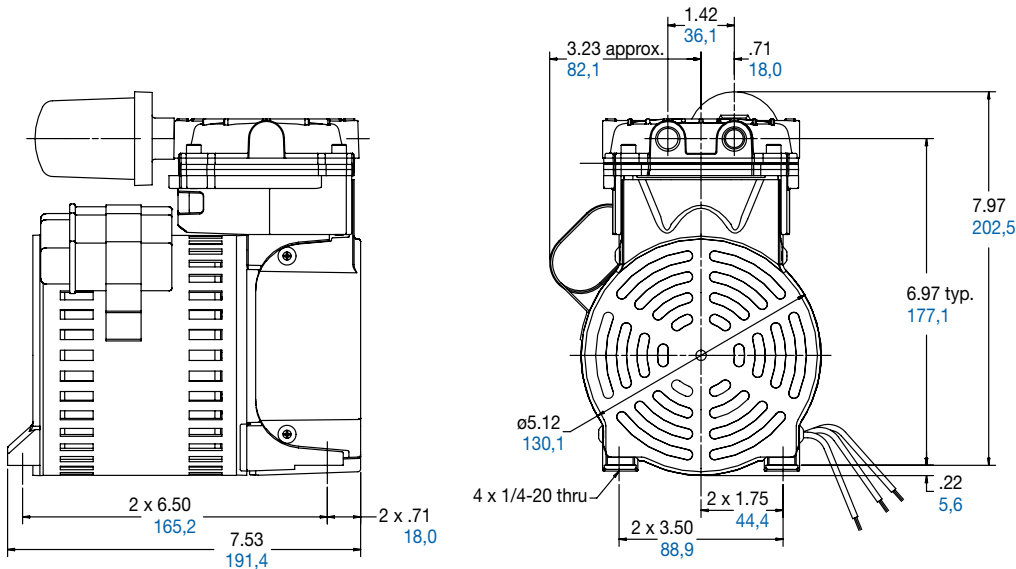
PRODUCT FEATURES

- Oilless operation
- All wetted aluminum parts treated for corrosion protection from moisture
- Rugged motor shell construction
- Includes filter B300A
- The H200 and H201 motors have 3 pigtail wire arrangement
- The H203 has 6 pigtail wire arrangement

RECOMMENDED ACCESSORIES

- Relief valve AA840A
- Vacuum gauge AA640

Product Dimensions (Inches, mm)



Product Specifications

Model Number	Motor	RPM		HP	kW	Wt	
		60 Cycle	50 Cycle			lbs.	kg
74R130-P101-H200X	100-115-60-1;100-50-1	1625	1375	1/4	0,19	14.2	6,4
74R130-P101-H201X	220-240/230-50/60-1	1625	1375	1/4	0,19	14.3	6,5
74R130-P101-H203X	110-115/230-60-1 ; 110-115/220-240-50-1	1625	1375	1/4	0,19	14.3	6,5
*74R130-P114-H200X	100-115-60-1 ;100-50-1	1625	1375	1/4	0,19	14,2	6,4
*74R130-P114-H201X	220-240/230-50/60-1	1625	1375	1/4	0,19	14.3	6,5

* Has M5 foot mount** Biased Valve



Product Performance (U.S./imperial, [Metric](#))

