



Oilless Rocking Piston Pump

F-57 (07-00)



75R Series



Performance at 60 Hz

MODEL 75R647

20 PSI MAX. PRESSURE, 27" HG MAX. VACUUM
5.1 CFM OPEN FLOW

MODEL 75R645

30 PSI MAX. PRESSURE, 4.90 CFM OPEN FLOW

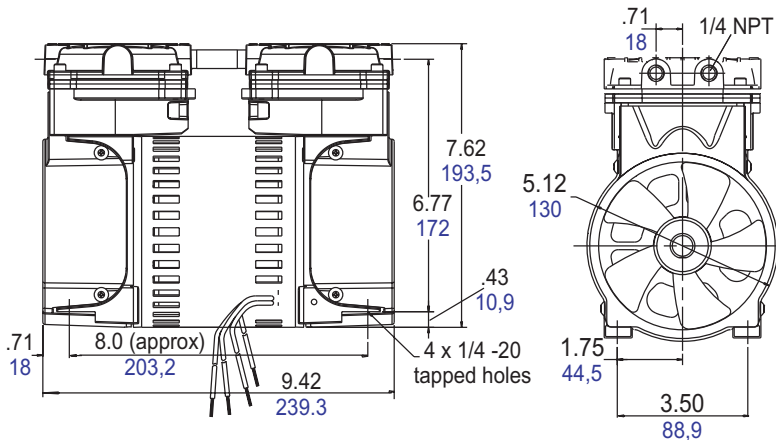
MODEL 75R640

40 PSI MAX. PRESSURE, 4.45 CFM OPEN FLOW

MODEL 75R635

30 PSI MAX. PRESSURE, 4.05 CFM OPEN FLOW

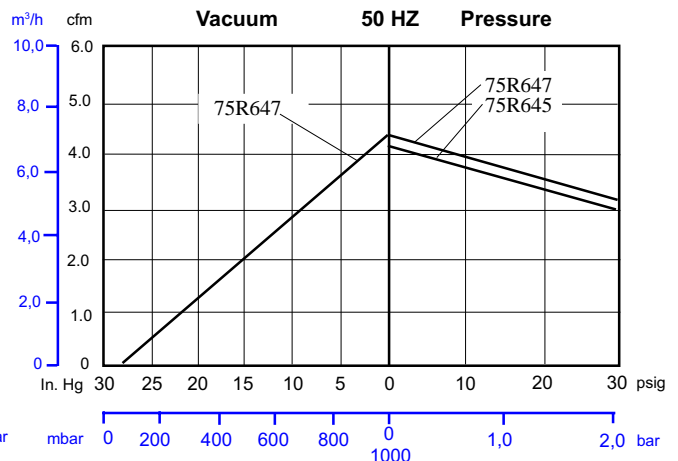
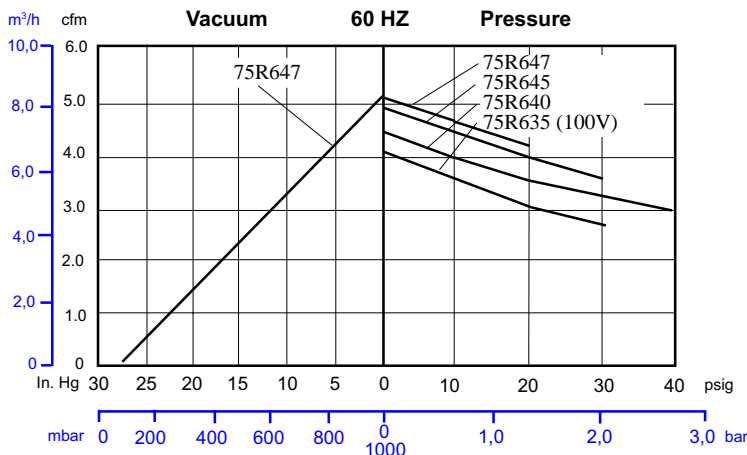
inches mm



Product Specifications

Model Number	Motor Voltage	HP	kW	Net Wt.	
				lbs.	kg
75R635-P101-H301X	100/100-115-50/60-1	1/3	0,25	17.1	7,8
75R640-P101-H301X	115-60-1	1/3	0,25	17.1	7,8
75R645-P101-H301X	115-60-1	1/3	0,25	17.1	7,8
75R647-P101-H301X	115-60-1	1/3	0,25	17.5	7,9
75R647-V101-H301X	115-60-1	1/3	0,25	17.5	7,9
75R645-P101-H302X	220-240/230-50/60-1	1/3	0,25	17.6	8,0
75R647-P101-H302X	220-240/230-50/60-1	1/3	0,25	18.0	8,2

Product Performance



PRODUCT FEATURES

- Oilless operation
- All wetted aluminum parts treated for corrosion protection from moisture
- Rugged motor shell construction

RECOMMENDED ACCESSORIES

- Relief valve AF592S (pressure)
- Pressure gauge AA644B (0-30 psig)
- Relief valve AA207A (vacuum)
- Vacuum gauge AA640
- Foot mount kit AF713A
- Filter B300A
- Capacitors:
 - AT250 - 75R645-P101-H302X
 - AT251 - 75R647-P101-H302X
 - AT367 - 75R645-P101-H301X
 - AT546A - 75R635-P101-H301X, 75R640-P101-H301X, 75R647-P101-H301X
- Repair kit K797