



## DAA SERIES

### PSC 4 POLE

60 PSI max. pressure, 2.4 cfm open flow

### PSC 2 POLE

60 PSI max. pressure, 3.8 cfm open flow

### PSC 4 POLE (SINGLE STAGE)

25.5" HG max vacuum, 2.2 cfm open flow

### PSC 2 POLE (SINGLE STAGE)

25.5" HG max vacuum, 3.6 cfm open flow

### PSC 4 POLE (TWO STAGE)

29.0" HG max vacuum, 1.15 cfm open flow

### PSC 2 POLE (SINGLE STAGE)

29.0" HG max vacuum, 2.0 cfm open flow



### PRODUCT FEATURES

- Oilless operation
- Motor mounted
- Rugged construction/low maintenance

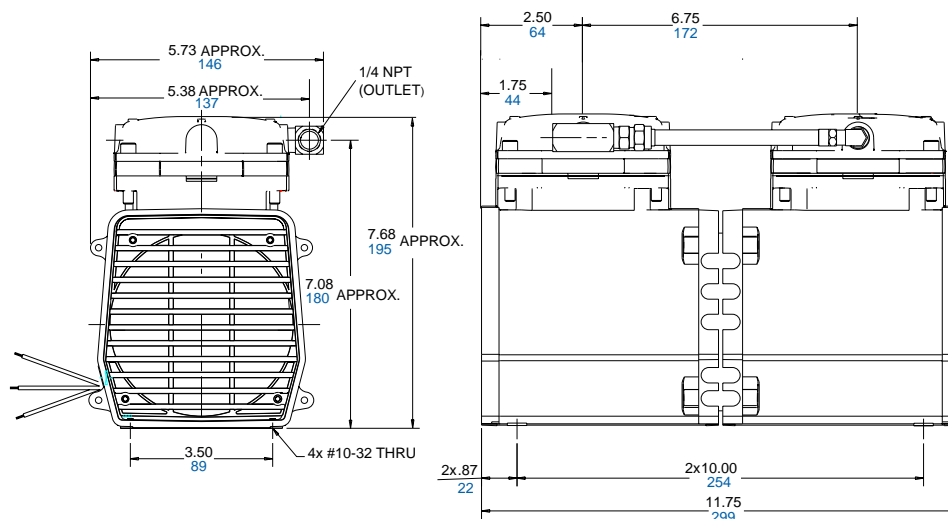
### INCLUDES

- Muffler AH190A for vacuum
- Capacitor AF876 (EB motors), AF873A (ED motors), AF485 (GB and GD motors)

### RECOMMENDED ACCESSORIES

- Pressure gauge AF583/Vacuum gauge AA640
- Pressure relief valve AF887 / Vacuum relief valve AA550C-V
- (4) rubber feet AF584A
- Repair Kit K294A (use 2)

### Product Dimensions (in. mm)





## Product Specifications

**Note:** All models listed below are vacuum models only except for the V4 (lab models) which are set up for vacuum or pressure.

Model Number	Motor	Motor Type Stages for Vacuum Models	RPM		HP	kW	Net Wt.	
			60 Cycle	50 Cycle			lbs.	kg
DAA-P501-EB	100/115-50/60-1	PSC (4 pole)	1575	1275	1/4	0,19	28	12,7
DAA-P501-ED	220/230-50/60-1	PSC (4 pole)	1575	1275	1/4	0,19	28	12,7
*DAA-P517-ED	220/230-50/60-1	PSC (4 pole)	1575	1275	1/4	0,19	28	12,7
**DAA-P513-EG	240-50-1	PSC (4 pole)	-----	1275	1/4	0,19	28	12,7
***DAA-P501-GB	110/115-50/60-1	PSC (2 pole)	3000	2500	1/2	0,37	28	12,7
+DAA-P503-GB	110/115-50/60-1	PSC (2 pole)	3000	2500	1/2	0,37	28	12,7
***DAA-P501-GD	220/230-50/60-1	PSC (2 pole)	3000	2500	1/2	0,37	28	12,7
+DAA-P503-GD	220/230-50/60-1	PSC (2 pole)	3000	2500	1/2	0,37	28	12,7
++DAA-P512-GD	220/230-50/60-1	PSC (2 pole)	3000	2500	1/2	0,37	28	12,7
DAA-V505-EB	110/115-50/60-1	PSC (4 pole) single stage	1575	1275	1/4	0,19	23	10,4
DAA-V502-EB	110/115-50/60-1	PSC (4 pole) two stage	1575	1275	1/4	0,19	23	10,4
DAA-V505-ED	220/230-50/60-1	PSC (4 pole) single stage	1575	1275	1/4	0,19	23	10,4
DAA-V502-ED	220/230-50/60-1	PSC (4 pole) two stage	1575	1275	1/4	0,19	23	10,4
**DAA-V510-EG	240-50-1	PSC (4 pole) two stage	-----	1275	1/4	0,19	23	10,4
DAA-V505-GB	110/115-50/60-1	PSC (2 pole) single stage	3000	2500	1/2	0,37	23	10,4
DAA-V507-GB	110/115-50/60-1	PSC (2 pole) two stage	3000	2500	1/2	0,37	23	10,4
DAA-V505-GD	220/230-50/60-1	PSC (2 pole) single stage	3000	2500	1/2	0,37	23	10,4
DAA-V507-GD	220/230-50/60-1	PSC (2 pole) two stage	3000	2500	1/2	0,37	23	10,4

\* Available only in Europe

\*\*Capacitor mounted on unit in mini-box, two meter cord (European color-coded), no plug

\*\*\*Capacitor unattached, no manifold

+Capacitor unattached, parallel manifold for pressure (single stage only)

++Capacitor attached, parallel manifold for pressure (single stage only)

## Product Performance

