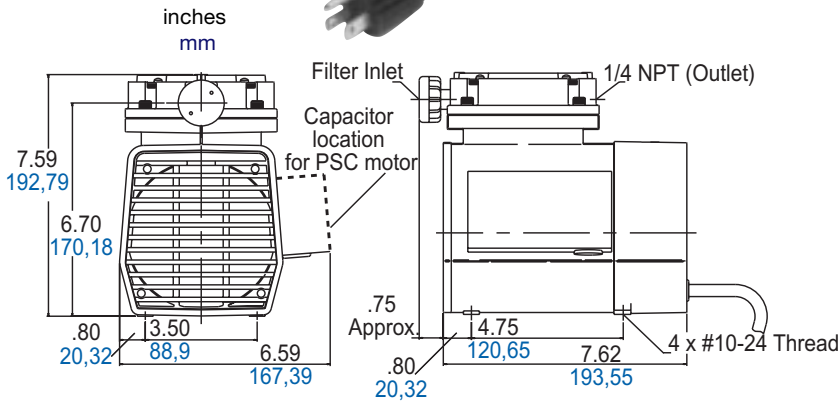




Corrosion Resistant Diaphragm Oilless Vacuum Pump and Compressor



E-12 (10-01)



DOA-V163-BN

PRODUCT FEATURES

- Pressure or Vacuum Operation
- Features: 220/240-50-1
- Shaded Pole Motor
- 79 Inch Cord, no plug (European color-coded)
- Muffler/Filter

MATERIALS OF CONSTRUCTION

- Teflon Coated Head Assembly
- Stainless Steel Valves
- Neoprene Diaphragm
- Armalon Diaphragm Cover

RECOMMENDED ACCESSORIES

- Vacuum Gauge AA640
- Vacuum Regulator Assembly AA550C-V
- Pressure Gauge AF583
- Pressure Regulator AF887
- (4) Rubber Feet AF584A

DOA-P145-DB

PRODUCT FEATURES

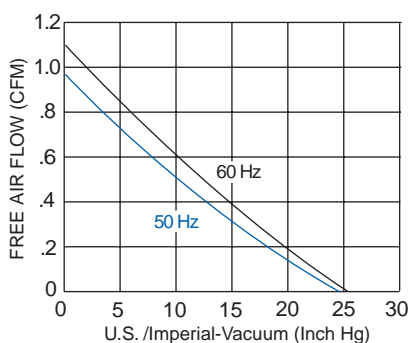
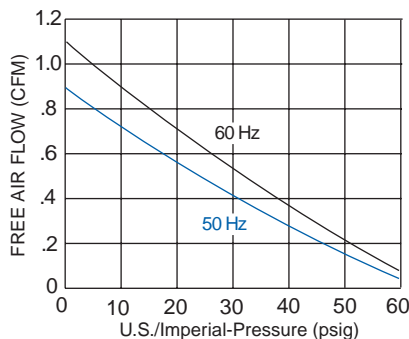
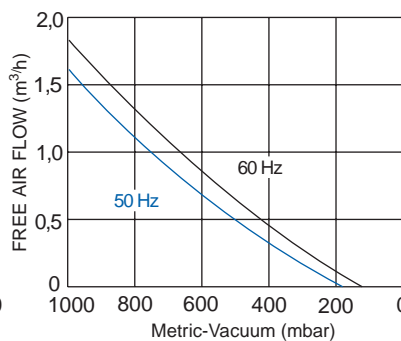
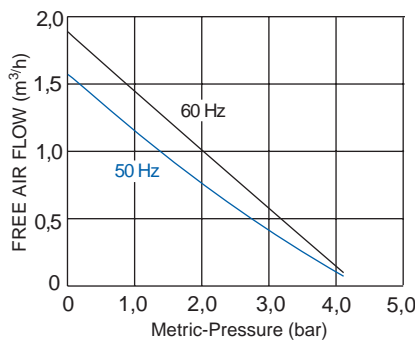
- Pressure or Vacuum Operation
- 110/115-50/60-1
- PSC motor
- Capacitor Mounted in a Mini-box
- 6 Foot Cord with Plug
- Muffler/Filter

MATERIALS OF CONSTRUCTION

- Teflon Coated Head Assembly
- Stainless Steel Valves
- Neoprene Diaphragm

RECOMMENDED ACCESSORIES

- Vacuum Gauge AA640
- Vacuum Regulator Assembly AA550C-V
- Pressure Gauge AF583
- Pressure Regulator AF887
- (4) Rubber Feet AF584A
- Repair Kit K294H



World Headquarters
2550 Meadowbrook Road
Benton Harbor, MI. 49022
Ph: 616/926-6171
Fax: 616/925-8288
www.gastmfg.com

ISO 9001 & 14001 CERTIFIED