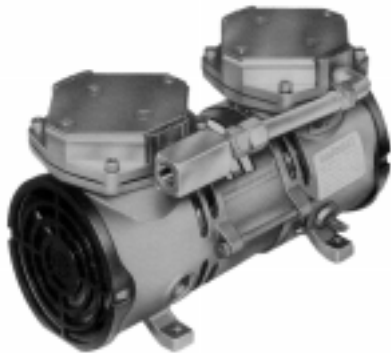




# Oilless Diaphragm Unit to 1.58 cfm

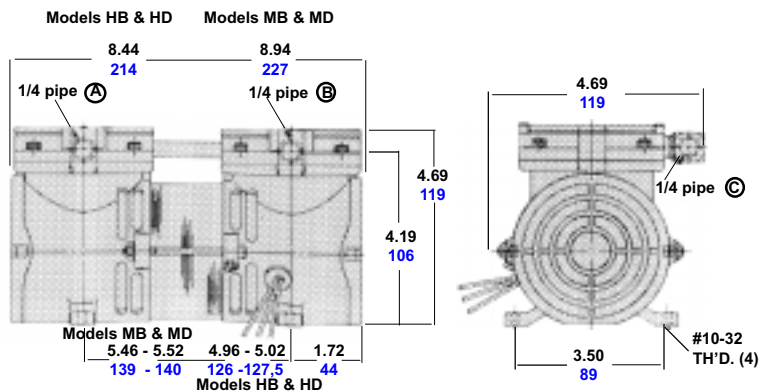
# MAA Series



Performance at 60Hz unless otherwise noted

MOTOR (ALL PSC)	MAXIMUM PRESSURE (PSI)	MAXIMUM VACUUM (IN. HG)	MAXIMUM OPEN FLOW (CFM)
4 Pole	50	-	1.03
2 Pole	50	-	1.58
4 Pole (Single stage)	-	24	1.0
2 Pole (Single stage)	-	24	1.4
4 Pole (Two stage)	-	28	.47
2 Pole (Two stage)	-	28.5	.80

## PRODUCT DIMENSIONS (mm) (inches)



**For Compressors:** A & B are inlets, C is outlet  
**For Vacuum Pumps:** Two stage A is inlet, B is outlet.  
**For Single stage:** C is inlet

LEADS APPROX.  $\frac{10.00}{254}$  TO  $\frac{14.00}{356}$   
 LONG-STRIPPED  $\frac{.50}{12.7}$

## PRODUCT FEATURES

- Oilless operation
- Motor mounted
- Rugged construction/low maintenance

## INCLUDES

- Capacitor AG331 (4-pole motors), AF485 (2-pole motor)

## RECOMMENDED ACCESSORIES

- Pressure gauge AF583, vacuum gauge AA640
- Pressure relief valve AF887, Vacuum relief valve AA550C-V
- Rubber feet (4) AG505
- Repair Kit K309 (Use 2)

## PRODUCT SPECIFICATIONS

Note: "P" models are pressure; "V" models are vacuum;

Model Number	Motor	Type	Stages Vacuum Models	RPM		HP	kW	Net. Wt.	
				60 Cycle	50 Cycle			lbs	kg
MAA-P102-HB	115/110-60/50-1	PSC (4 pole)	-	1575	1275	1/16	0,05	8	3,6
MAA-P102-HD	220/230-50/60-1	PSC (4 pole)	-	1575	1275	1/16	0,05	8	3,6
MAA-P102-MB	115/110-60/50-1	PSC (2 pole)	-	3000	2500	1/8	0,09	9	4,1
MAA-V103-HB	115/110-60/50-1	PSC (4 pole)	one	1575	1275	1/16	0,05	8	3,6
MAA-V109-HB	115/110-60/50-1	PSC (4 pole)	two	1575	1275	1/16	0,05	8	3,6
MAA-V103-HD	220/230-50/60-1	PSC (4 pole)	one	1575	1275	1/16	0,05	8	3,6
MAA-V109-HD	220/230-50/60-1	PSC (4 pole)	two	1575	1275	1/6	0,05	8	3,6
MAA-V103-MB	115/110-60/50-1	PSC (2 pole)	one	3000	2500	1/8	0,09	9	4,1
MAA-V109-MB	115/110-60/50-1	PSC (2 pole)	two	3000	2500	1/8	0,09	9	4,1
MAA-V109-MD	208-230/220-240-60/50-1	PSC (2 pole)	two	3000	2500	1/8	0,09	9	4,1

## PRODUCT PERFORMANCE (Metric, U.S.)

