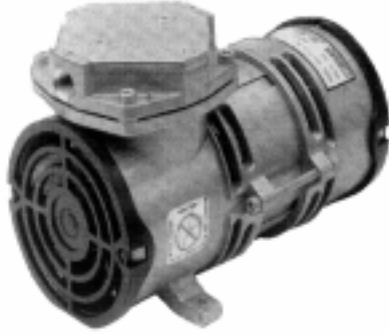




Oilless Diaphragm Unit to .81 cfm

MOA Series



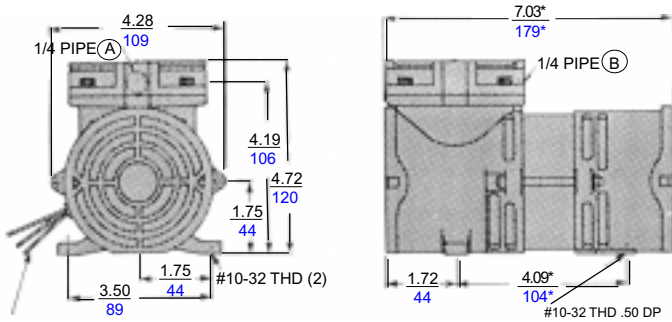
Performance at 60 Hz unless otherwise noted

MOTOR	MAXIMUM PRESSURE (PSI)	MAXIMUM VACUUM (IN. HG)	MAXIMUM OPEN FLOW (CFM)
PSC 4 Pole/Shaded Pole	50	24	.52
PSC 2 Pole	50	24	.80
DC Low Speed (Brush Type)	50	24	.56
DC High Speed (Brush Type)	50	24	.81

PRODUCT DIMENSIONS (mm) (Inches)

AC Models

(capacitor shipped unattached for PSC motors)



LEADS STRIPPED .50
 *ADD .50" (13) TO MODELS WITH CD, HB, AND HD MOTORS

PRODUCT FEATURES

- Oilless Operation
- Motor Mounted
- Rugged construction / low maintenance

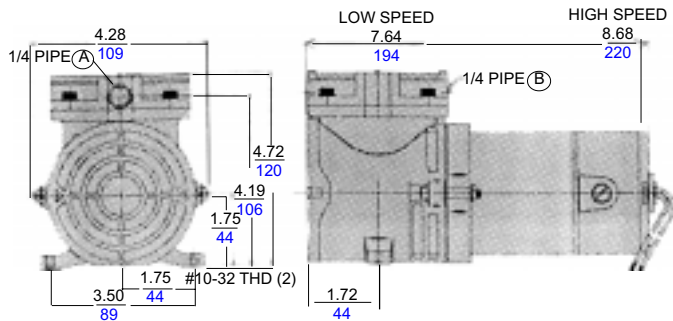
INCLUDES

- Capacitors for PSC motors:
 AG331 (FB, HB and HD motors)
 AF 837A (FD motor)

RECOMMENDED ACCESSORIES

- Pressure gauge AF583 / Vacuum gauge AA640
- Pressure relief valve AF887 / Vacuum relief valve AA550C-V
- Rubber feet AG505 (3)
- Repair Kit K309
- For higher flows (up to 20%) contact factory for high-flow head assm.

DC Models



- (A) Outlet for compressor models, inlet for vacuum models
- (B) Inlet for compressor models, outlet for vacuum models

MOA Series

PRODUCT SPECIFICATIONS

Note: "P" models are pressure, "V" models are vacuum

Model Number	Motor	Motor Type	RPM		HP	kW	Net Wt.	
			60 cycle	50 cycle			lbs.	kg
MOA-P101-CA	115-60-1	Shaded Pole	1575	-	1/16	0,05	5.3	2,4
MOA-P101-AE	110-50-1	Shaded Pole	-	1275	1/16	0,05	5.3	2,4
MOA-P101-CD	220/230-50/60-1	Shaded Pole	1575	1275	1/16	0,05	5.3	2,4
MOA-P108-FB	110/115-50/60-1	PSC (2 Pole)	3000	2500	1/8	0,09	5.3	2,4
MOA-P108-FD	220/230-50/60-1	PSC (2 Pole)	3000	2500	1/8	0,09	5.3	2,4
MOA-P108-HB	110/115-50/60-1	PSC (4 Pole)	1575	1275	1/16	0,05	5.3	2,4
MOA-P101-JH	12 Volt	DC	1800		1/16	0,05	5.3	2,4
MOA-P101-KH	12 Volt	DC	3000		1/8	0,09	5.3	2,4
MOA-P101-JK	24 Volt	DC	1800		1/16	0,05	5.3	2,4
MOA-V112-AE	110/115-50/60-1	Shaded Pole	1575	1275	1/16	0,05	5.6	2,5
MOA-V111-CD	220/230-50/60-1	Shaded Pole	1575	1275	1/16	0,05	5.6	2,5
MOA-V112-FB	110/115-50/60-1	PSC (2 Pole)	3000	2500	1/8	0,09	5.6	2,5
MOA-V112-FD	220/230-50/60-1	PSC (2 Pole)	3000	2500	1/8	0,09	5.6	2,5
MOA-V112-HB	110/115-50/60-1	PSC (4 Pole)	1575	1275	1/16	0,05	5.6	2,5
MOA-V112-HD	220/230-50/60-1	PSC (4 Pole)	1575	1275	1/16	0,05	5.6	2,5
MOA-V111-JH	12 Volt	DC	1800		1/16	0,05	5.6	2,5
MOA-V111-KH	12 Volt	DC	3200		1/8	0,09	5.6	2,5
MOA-V111-JK	24 Volt	DC	1800		1/16	0,05	5.6	2,5

PRODUCT PERFORMANCE (Metric, U.S.)

