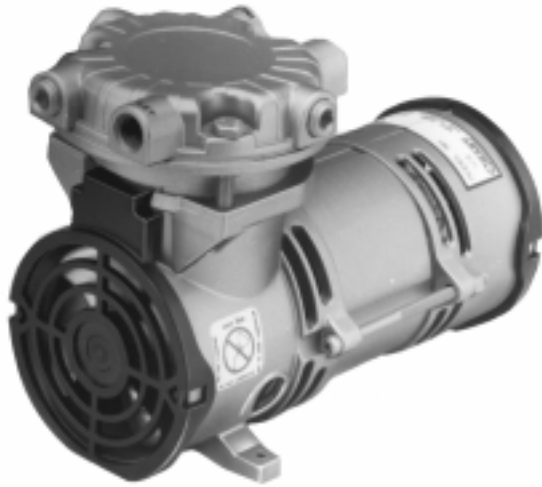




Oilless Rocking Piston Unit to .86 cfm

LOA Series



Performance at 60 Hz unless otherwise noted

MODEL/SERIES	MAXIMUM VACUUM (IN. HG)	MAXIMUM OPEN FLOW (CFM)
Shaded Pole Motor	25	.39
PSC Motor 4 Pole	26	.83
DC Motor (Brush Type)	27	.86

PRODUCT FEATURES

- Oilless Operation
- Motor Mounted
- Rugged construction / low maintenance
- Low noise levels

INCLUDES

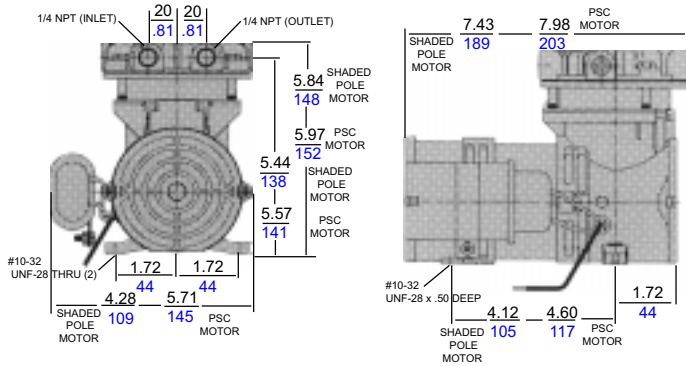
- Capacitor AG331 (HB, HD motors) AF485 (NL motor) AH364 (NQ motor)

RECOMMENDED ACCESSORIES

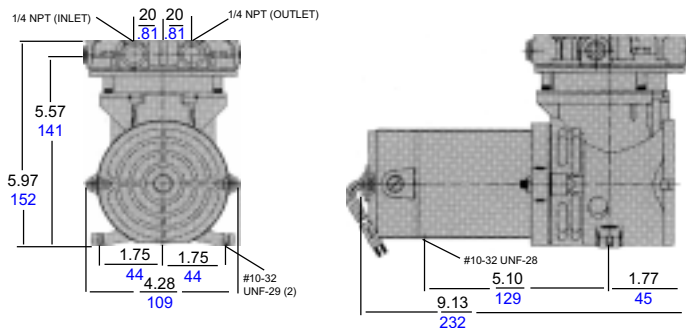
- Muffler/filters AH190
- Pressure gauge AF583 / Vacuum gauge AA640
- Pressure relief valve AF592S / Vacuum relief valve AA207
- (3) Rubber feet AF584A
- Repair Kit K476

Product Dimensions (mm) (Inches)

AC Models (capacitor shipped unattached)



DC Models



LOA Series

Product Specifications

Note: Models listed below are for vacuum or pressure with the exception of the "P" models, which are pressure only

Model Number	Motor	Motor Type	RPM		HP	kW	Net Wt.	
			60 cycle	50 cycle			lbs	kg
LOA-101-AA	115-60-1	Shaded Pole	1575	-	1/16	0,05	6.6	3,0
LOA-101-HB	115/110-60/50-1	PSC	1575	1275	1/16	0,05	8.6	3,9
LOA-101-HD	230/220-60/50-1	PSC	1575	1275	1/16	0,05	8.6	3,9
LOA-101-NL	100-50/60-1	PSC	1575	1275	1/8	0,09	7.6	3,5
LOA-P103-NL	100-50/60-1	PSC	1575	1275	1/6	0,12	7.6	3,5
LOA-P102-NQ	115-60-1	PSC	1575	-	1/6	0,12	8.6	3,9
LOA-101-JR	11-15 Volt	DC		2000	1/10	0,07	6.6	3,0

Product Performance (Metric, U.S.)

