



Oilless Rocking Piston Unit to 2.4 cfm

RAA Series

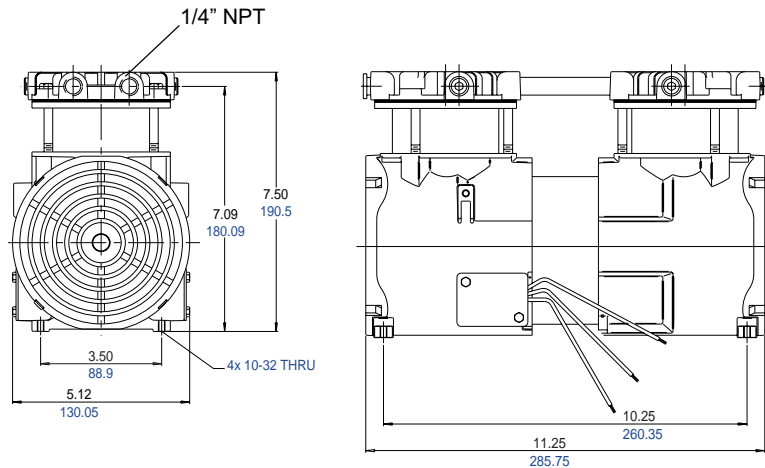


Shown without muffler which is included with unit.

Performance at 60Hz unless otherwise noted

MOTOR	MAXIMUM PRESSURE (PSI)	MAXIMUM VACUUM (IN. HG)	MAXIMUM OPEN FLOW (CFM)
PSC 4 Pole	100		1.55
PSC 2 Pole	100	-	2.4
PSC 4 Pole (single stage)	-	27.5	2.7
PSC 4 Pole (two stage)	-	29.0	1.5

PRODUCT DIMENSIONS (metric) (U.S.)



PRODUCT FEATURES

- Oilless operation
- Motor mounted
- Rugged construction / low maintenance
- Low noise level

INCLUDES

- Muffler/filter AH190
- Unattached capacitor:
AF876 - EB motor
AF873A - ED, EG motors
AF485 - GB, GD motors

RECOMMENDED ACCESSORIES

- Pressure gauge AF583, Vacuum gauge AA640
- Pressure relief valve AF592S, Vacuum relief valve AA550C-V
- Rubber feet (4) AF584A
- Repair Kits:
EB, ED motors - (2) K750
GB, GD motors - (2) K752

PRODUCT SPECIFICATIONS

Note: "P" models are pressure; "V" models are vacuum;

Model Number	Motor	Type	Stages	Vacuum		RPM	HP	kW	Net. Wt.	
				Models	60 Cycle				50 Cycle	lbs
RAA-P203-EB	115/110-60/50-1	PSC (4 pole)	-	1575	1275	1/4	0,19	19	8,6	
RAA-P203-ED	230/220-60/50-1	PSC (4 pole)	-	1575	1275	1/4	0,19	19	8,6	
RAA-P203-GB	115/110-60/50-1	PSC (2 pole)	-	3000	2500	1/4	0,19	19	8,6	
RAA-P203-GD	230/220-60/50-1	PSC (2 pole)	-	3000	2500	1/4	0,19	19	8,6	
RAA-V210-EB	115/110-60/50-1	PSC (4 pole)	one	1575	1275	1/4	0,19	19	8,6	
RAA-V211-EB	115/110-60/50-1	PSC (4 pole)	two	1575	1275	1/4	0,19	19	8,6	
RAA-V210-ED	230/220-60/50-1	PSC (4 pole)	one	1575	1275	1/4	0,19	19	8,6	
RAA-V211-ED	230/220-60/50-1	PSC (4 pole)	two	1575	1275	1/4	0,19	19	8,6	

PRODUCT PERFORMANCE (Metric, U.S.)

