



Rocking Piston to 1.8 cfm

ROA Series

AC Motor

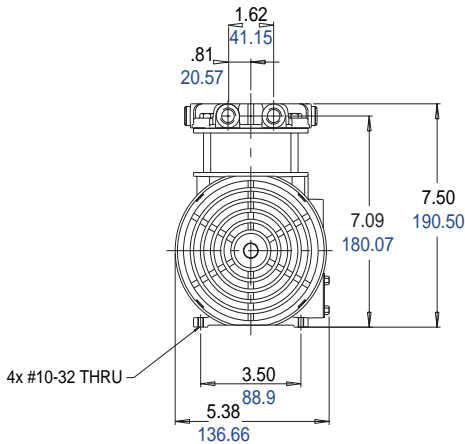


LAB MODEL

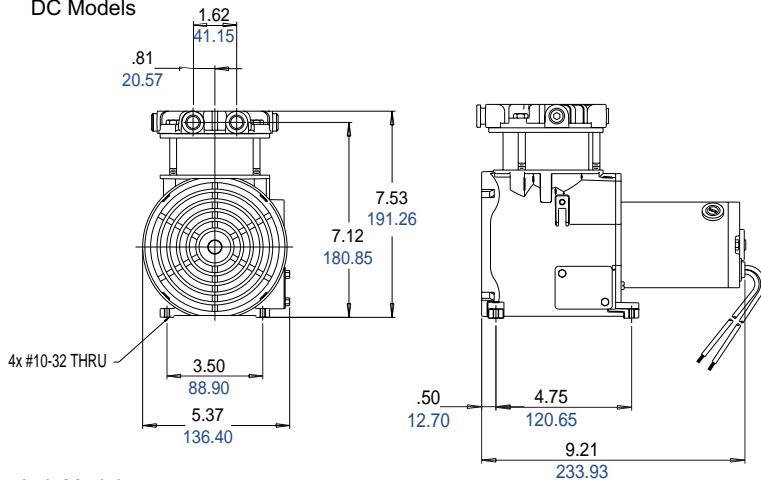


PRODUCT DIMENSIONS (mm) (inches)

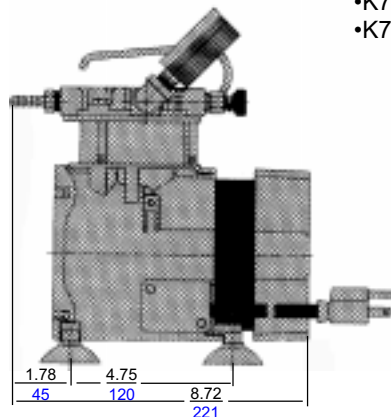
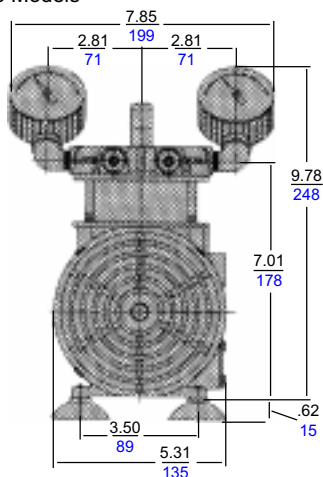
AC Models



DC Models



Lab Models



Performance at 60Hz unless otherwise noted

MOTOR/SERIES	MAXIMUM PRESSURE (PSI)	MAXIMUM VACUUM (IN. HG)	MAXIMUM OPEN FLOW (CFM)
Shaded Pole	100	26.0	1.25
Shaded Pole (with biased valve for restart)	100	-	.60
PSC 4- Pole	100	27.0	1.60
PSC 4- Pole (high flow head)	30	-	1.80
PSC 2- Pole	100	-	1.25
DC	100	26.0	1.50
DC (high flow head)	10	-	1.70
Lab Model	100	25.0	.80

PRODUCT FEATURES

- Oilless operation
- Motor mounted
- Rugged construction / low maintenance
- Low noise level

INCLUDES

- Muffler/filter AH190
- Capacitor AF873A (DB and DD motors)
- Capacitor AF285 (FB motor)
- Capacitor AF876 (EB motor)
- Lab models:**
- Gauges - Vacuum AA640, Pressure AE362
- Hose barbs AF431
- Regulators - Vacuum AA506G-V, Pressure AF887
- Carrying handle AC174
- Cord with on/off switch AF968A
- Rubber feet AF584A

RECOMMENDED ACCESSORIES

- Pressure gauge AF583
- Vacuum gauge AA640 (except lab models)
- Pressure relief valve AF592S, Vacuum relief valve AA550C-V
- Repair Kits:
- K750 - Shaded pole, PCS 4 pole, DC motor models (with standard head)
- K751 - ROA-P222-AA, ROA-P202-BN (Biased valve models)
- K752 - ROA-P208-FB
- K757 - ROA-P104-AA, ROA-P104-BN (Lab models)

ROA Series

PRODUCT SPECIFICATIONS

Note: "P" models are pressure; "V" models are vacuum; "P104" Lab models are vacuum or pressure.

Model Number	Motor	Type	RPM		HP	kW	Net Wt	
			60 Cycle	50 Cycle			lbs.	kg
•ROA-P201-AA	115-60-1	Shaded Pole	1575	-	1/8	0,09	12,3	5,6
•ROA-P201-AC	230-60-1	Shaded Pole	1575	-	1/8	0,09	12,3	5,6
+ROA-P201-BN	220/240-50-1	Shaded Pole	-	1275	1/8	0,09	12,3	5,6
ROA-P201-BL	100-50/60-1	Shaded Pole	1575	1275	1/8	0,09	12,3	5,6
•ROA-P104-AA	115-60-1	Shaded Pole	1575	-	1/8	0,09	14	6,4
•ROA-P104-BN	220/240-50-1	Shaded Pole	-	1275	1/8	0,09	14	6,4
ROA-P208-DB	115/110-60/50-1	PSC (4 Pole)	1575	1275	1/8	0,09	12,3	5,6
ROA-P208-DD	230/220-60/50-1	PSC (4 Pole)	1575	1275	1/8	0,09	12,3	5,6
ROA-P208-FB	115/110-60/50-1	PSC (2 Pole)	3000	2500	1/4	0,19	12,3	5,6
*ROA-P222-AA	115-60-1	Shaded Pole	1575	-	1/8	0,09	12,3	5,6
▣ ROA-P108-EB	115/110-60/50-1	PSC (4 Pole)	1575	1275	1/4	0,19	15,1	6,9
ROA-P201-JH	12 Volt	DC	2100		1/8	0,09	10	4,5
ROA-P201-JK	24 Volt	DC	2100		1/8	0,09	10	4,5
▣ ROA-P102-JH	12 Volt	DC	2100		1/8	0,09	10	4,5
•ROA-V210-AA	115-60-1	Shaded Pole	1575	-	1/8	0,09	12,3	5,6
•ROA-V210-AC	230-60-1	Shaded Pole	1575	-	1/8	0,09	12,3	5,6
+ROA-V210-BN	220/240-50-1	Shaded Pole	-	1275	1/8	0,09	12,3	5,6
ROA-V210-JH	12 Volt	DC	2000		1/8	0,09	10	4,5
ROA-V210-DB	115/110-60/50-1	PSC (4 Pole)	1575	1275	1/8	0,09	12,3	5,2
ROA-V210-DD	230/220-60/50-1	PSC (4 Pole)	1575	1275	1/8	0,09	12,3	5,2

•Includes 6 foot cord and plug.

+Includes 2 meter European color coded cord (no plug)

*Biased valve unit , for restart capability

▣ High flow head unit

Product Performance (Metric, U.S.)

