



Oilless Rocking Piston Unit to 3.3 cfm

SAA Series



Note: Standard units ship with grilles covering fans.

MOTOR	MAXIMUM PRESSURE (PSI)	MAXIMUM VACUUM (IN. HG)	MAXIMUM OPEN FLOW (CFM)
PSC 4- Pole	30	29.5	3.3

PRODUCT FEATURES

- Oilless Operation
- Motor Mounted
- Rugged construction / low maintenance
- Low noise levels

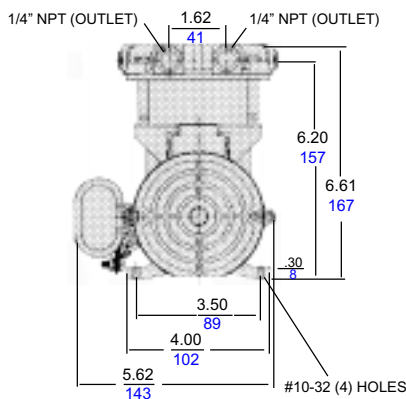
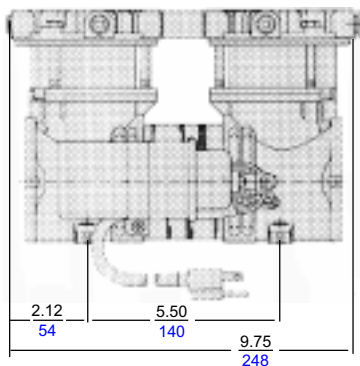
INCLUDES

- Capacitor AH364

RECOMMENDED ACCESSORIES

- Muffler/filter AH190
- Pressure gauge AF583 / Vacuum gauge AA640
- Pressure relief valve AA205 / Vacuum relief valve AA207
- (4) Rubber feet AF584A
- Repair kit(s): K756, K757 (SAA-P107-NQ, SAA-V108-NQ) K757 (2) (SAA-V109-NQ)

Product Dimensions (mm) (inches)

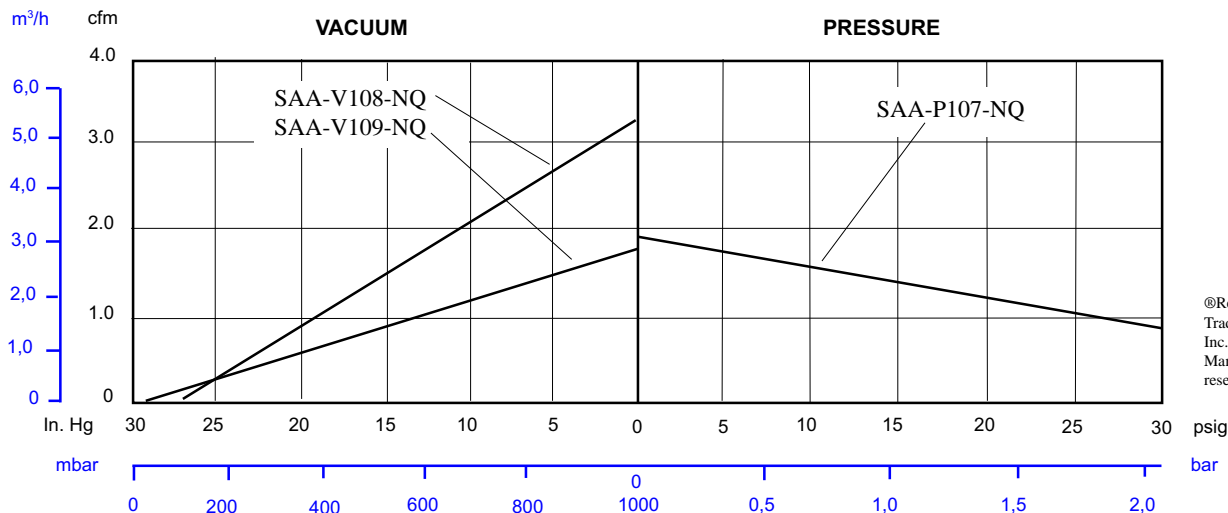


Product Specifications

Note: "P" Models are pressure, "V" models are vacuum

Model Number	Motor	Type	Stages (Vacuum only)	RPM (60 Hz only)	HP	kW	Net Wt.	
							lbs.	kg
SAA-P107-NQ	115-60-1	PSC (4 Pole)	-	1575	1/6	0,12	11.1	5,0
SAA-V108-NQ	115-60-1	PSC (4 Pole)	one	1575	1/6	0,12	11.1	5,0
SAA-V109-NQ	115-60-1	PSC (4 Pole)	two	1575	1/6	0,12	11.1	5,0

Product Performance (Metric, U.S. Imperial)



©Registered Trademark™
Trademark of Gast Manufacturing Inc. Copyright ©1999 Gast Manufacturing Inc. All rights reserved.