



Oilless Rocking Piston Unit to 1.7 cfm

SOA Series

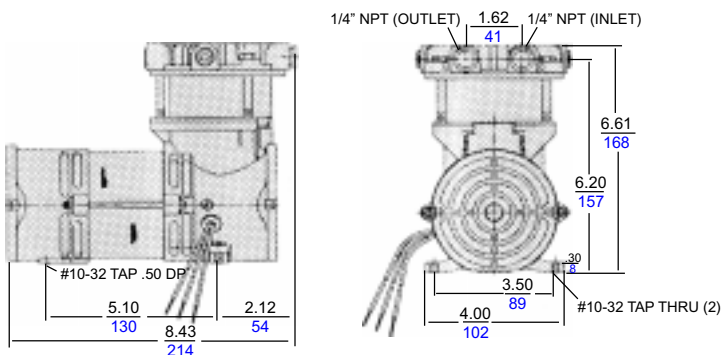


Performance at 60 Hz unless otherwise noted

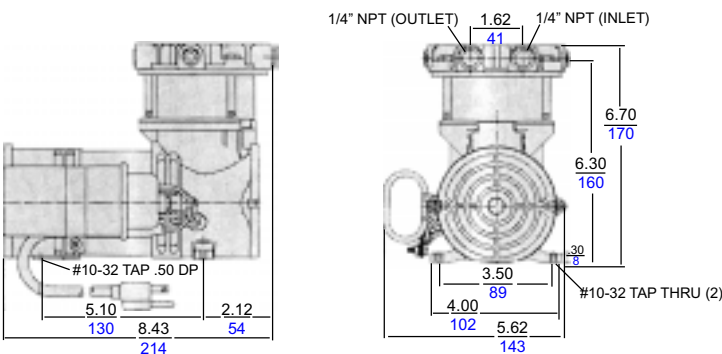
MOTOR	MAXIMUM PRESSURE (PSI)	MAXIMUM VACUUM (IN. HG)	MAXIMUM OPEN FLOW (CFM)
PSC 4-Pole	30	27.5	1.7

Product Dimensions (mm) (inches)

SOA-P101-NA /
SOA-V105-NA



SOA-P107-NQ



PRODUCT FEATURES

- Oilless Operation
- Motor Mounted
- Rugged construction / low maintenance
- Low noise levels

INCLUDES

- Capacitor AH364 (NQ Motor) - attached
- Capacitor AJ330 (SOA-V105-NA) unattached

RECOMMENDED ACCESSORIES

- Muffler/filter AH190
- Pressure gauge AF583 / Vacuum gauge AA640
- Pressure relief valve AA205 / Vacuum relief valve AA207
- (3) Rubber feet AF584A
- Repair kit K401
- Capacitor AJ330 (for SOA-P101-NA)

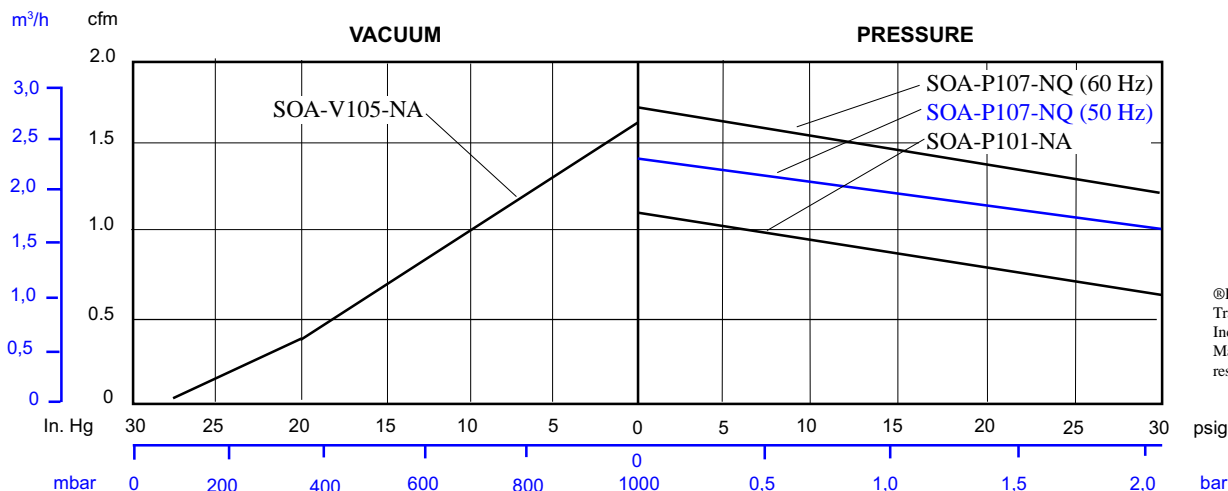
PRODUCT SPECIFICATIONS

Note: "P" Models are pressure, "V" models are vacuum

Model Number	Motor	Type	RPM		HP	kW	Net Wt.	
			60 Hz	50 Hz			lbs.	kg
SOA-P101-NA	115-60-1	PSC (4 Pole)	1575	-	1/8	0,9	9.6	4,4
SOA-P107-NQ*	110-115/100-60/50-1	PSC (4 Pole)	1575	1275	1/6	0,12	10.8	4,9
SOA-V105-NA	115-60-1	PSC (4 Pole)	1575	-	1/8	0,9	9.6	4,4

*Includes 6 ft. cord and plug attached

Product Performance (Metric, U.S. Imperial)



®Registered Trademark™
Trademark of Gast Manufacturing
Inc. Copyright ©1999 Gast
Manufacturing Inc. All rights
reserved.